

FBD系列隔爆压入式对旋轴流局部通风机

FBD SERIES EXPLOSION-PROOF PRESS-IN COUNTER-ROTATING AXIAL FLOW LOCAL FANS

1. 概述

Overview

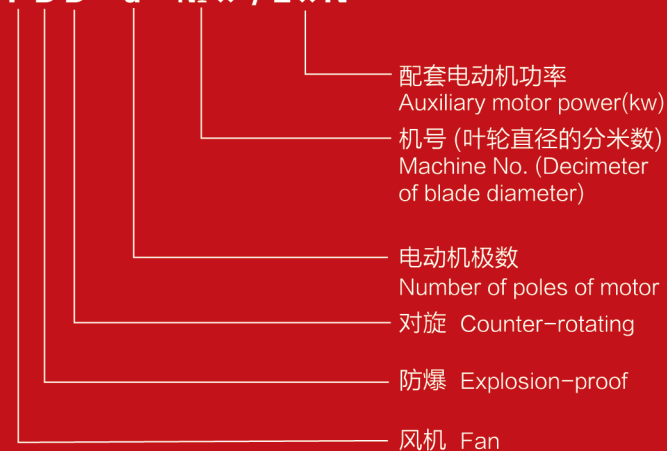
FBD系列隔爆压入式对旋轴流局部通风机主要用于矿山井下及其它工业部门含有瓦斯、煤尘及易燃气体的场所，可供煤矿、金属矿山、化学矿山及其它矿山的矿井掘进、建井和隧道长距离的通风等。适用于介质温度不超过40℃，湿度不大于95%±3% (25℃时) 及无腐蚀的场所。

FBD series explosion-proof press-in counter-rotating axial flow local fans are mainly used under mine shafts and the places containing gas, coal dust or inflammable gas of other industrial departments, and can be used for mine tunneling, shaft building and tunnel long-distance ventilation of coal mines, metal mines, chemical mines and other mines. The fans are applicable to places where medium temperature is less than 40℃ and humidity is less than 95%±3% (at 25℃) and without corrosion.

2. 风机型号标示解释:

Explanation of markings of fan type

F B D - a - No x / 2 x N



3.FBD系列防爆压入式对旋轴流局部通风机性能技术参数:

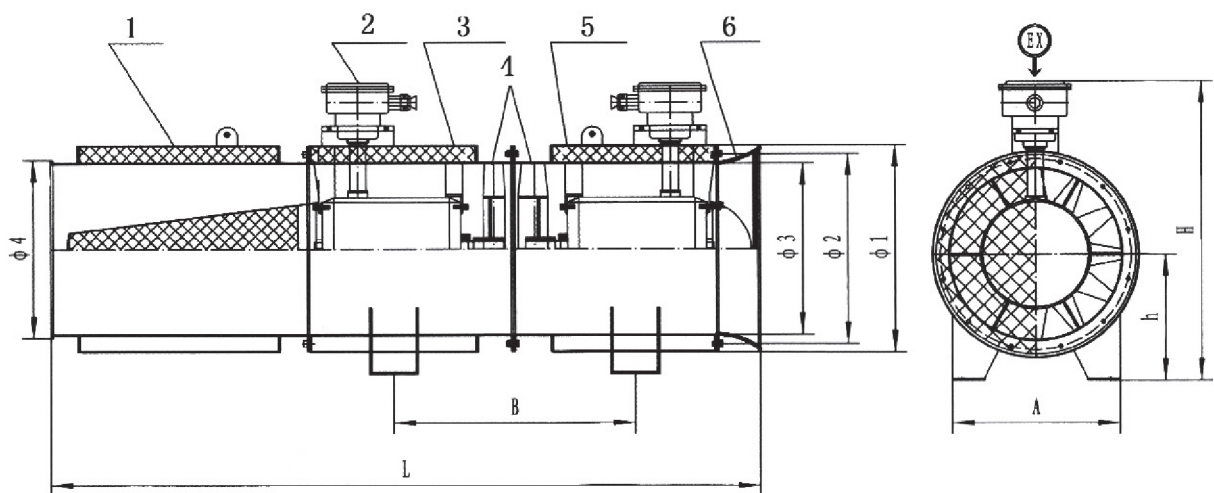
Technical performance parameters table of FBD series explosion-proof press-in counter-rotating axial flow local fans for mines

机号 Machine No	电动机型号 Model of motor	功率 Power (kw)	风量 Air volume (m ³ /min)	风压 Air pressure (pa)	噪声Noise dB(cas)
5.0	YBF3-132S1-2	2x5.5	105-280	2800-600	≤30
	YBF3-132S2-2	2x7.5	105-290	3000-600	
6.0	YBF3-160M1-2	2x11	130-350	4700-900	≤25
	YBF3-160M2-2	2x15	130-410	4800-900	
6.3	YBF3-160L-2	2x18.5	240-540	4400-900	
	YBF3-180M-2	2x22	170-580	4780-800	
6.3	YBF3-200L1-2	2x30	170-610	5650-1000	
6.7	YBF3-200L2-2	2x37	180-620	5780-1200	
6.7	YBF3-225M-2	2x45	190-660	6200-1200	
7.1	YBF3-200L1-2	2x30	190-667	6720-1250	
7.1	YBF3-200L2-2	2x37	190-675	6900-1250	
7.1	YBF3-225M-2	2x45	190-690	7300-1250	
8.0	YBF3-225M-2	2x45	420-879	7920-1280	
8.0	YBF3-250M-2	2x55	435-885	8480-1280	
8.5	YBF3-280S-2	2x75	660-1120	9460-1300	
9.5	YBF3-200L-4	2x30	660-1320	3200-500	
	YBF3-225S-4	2x37	690-1400	3300-700	
10.0	YBF3-225S-4	2x37	720-1500	3500-700	
	YBF3-225M-4	2x45	800-1520	3700-1000	
11.0	YBF3-250M-4	2x55	960-1980	4150-1100	
	YBF3-280S-4	2x75	1080-2220	4500-1150	

4.FBD系列防爆压入式对旋轴流局部通风机外形结构示意图:

Schematic diagram of outline structure of FBD series explosion-proof press-in counter-rotating axial flow local fans for mines

- | | |
|------------------------------|------------------------|
| 1.消音器Muffler | 2.电动机Motor |
| 3.二级主机Secondary main machine | 4.叶轮Impeller |
| 5.一级主机Primary main machine | 6.集流器Current collector |



5.FBD系列防爆压入式对旋轴流局部通风机外形尺寸表:

Outline dimension table of FBD series explosion-proof press-in counter-rotating axial flow local fans for mines

型号 Type No	功率 Power (kw)	外形尺寸Outline dimension								
		$\phi 1$	$\phi 2$	$\phi 3$	$\phi 4$	H	h	A	B	L
5.0	2x5.5	640	570	503	535	925	400	480	700	1740
	2x7.5									
6.0	2x11	730	670	603	630	1025	435	580	760	2145
	2x15									2145
	2x18.5									2235
	2x22								800	2452
6.3	2x22	765	700	635	665	1025	448	620	830	2310
	2x30		705							
6.7	2x37	820	742	675	715	1150	485	580	900	2740
7.1	2x30	866	792	715	750	1180	505	680	890	2675
	2x37									
	2x45	885	798	715	750	1260	525	680	1000	2750
8.0	2x45	957	885	805	835	1225	545	780	960	2890
	2x55	976	890			1305	720	780	1100	3350
8.5	2x75	1025	945	855	890	1400	745	780	1200	3600
9.5	2x30	1125	1050	956	985	1450	650	780	1000	3700
	2x37					1500				3860
10.0	2x37	1175	1095	1006	1035	1530	655	780	1000	3860
	2x45									4090
11.0	2x55	1280	1195	1106	1180	1725	718	880	1100	4700
	2x75									4930