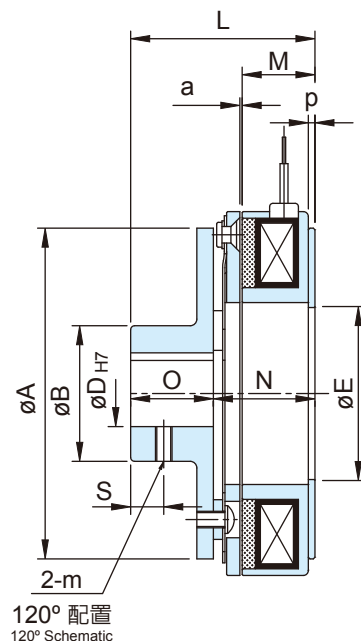
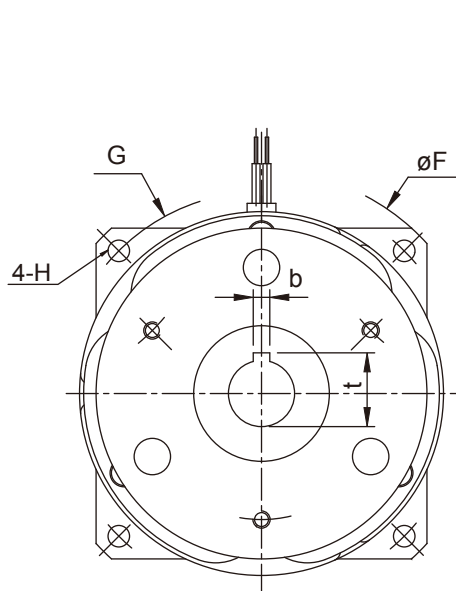


# CI1 Series

Flat Design

## 乾式單板超薄型電磁煞車器 Electromagnetic Power-Applied Friction Brake

附導座 with long hub



120° 配置  
120° Schematic

型號 MODEL		CI10S6AA(AB)	CI11S5AA(AB)	CI12S5AA(AB)	CI1005AA(AB)	CI1010AA(AB)	CI1020AA(AB)	
靜摩擦轉距 Static Friction Torque [kgm](Nm)		0.55 (5.5)	1.1 (11)	2.2 (22)	4.5 (45)	9.0 (90)	17.5 (175)	
動摩擦轉距 Dynamic Friction Torque [kgm](Nm)		0.5 (5.0)	1.0 (10)	2.0 (20)	4.0 (40)	8.0 (80)	16 (160)	
功率 Power [24V](W) at 20°C		14	22	26	29	37	44	
徑 方 向 Radius	A	70	80	100	125	160	200	
	B	28	31	41	49	65	83	
	D	15(12)	20(15)	25(20)	30(25)	40(30)	50(40)	
	E	35	45	52	65	80	107	
	F	90	110	135	165	210	265	
	G	80	98	122	150	190	240	
	H	4.5	5.5	6.5	6.5	8.5	11	
軸 方 向 Shaft	L	39.3	47.75	54.9	65	78	92.4	
	M	18	20	21	26	27	31	
	N	25.7	27.75	29.9	36.7	40	47.4	
	O	15	20	25	30	38	45	
	P	2	2	2	2.5	3	3.2	
	S	6	8	10	12	14	18	
	m	M5	M5	M6	M6	M8	M10	
	a	0.2 (±0.05)			0.3 <sup>(+0.05)</sup> <sub>(-0.1)</sub>		0.5 <sup>(-0)</sup> <sub>(-0.2)</sub>	
	b	5 (4)	5	7 (5)	7	10 (7)	12 (10)	
	t	17.3 (13.8)	22.3 (17.3)	28.3 (22.3)	33.3 (28.3)	43.8 (33.3)	53.8 (43.8)	
重量 Weight (kg)		0.5	0.7	1.3	2.5	4.2	8	
保護素子 Protective device		07D470K			10D680K	14D680K		