

24” 高清LED医用显示器



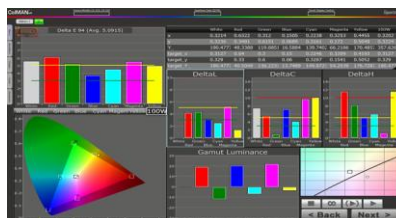
FSN Medical Technologies为您提供手术室视频信号管理方案。其设计开发的产品能兼容应用于手术室，急诊室和基础设施环境下的高端专业外科设备和诊断设备。
FS-L2402D，24寸医用液晶显示器是满足OR环境下工作需求的优势配备。

- LED 背光技术
- 双DVI 输入/输出连接
- 快速信号检测，稳健模式表
- 适用于无风扇，无菌环境
- 最新的坚固的铝质外壳
- 临床色彩校准
- 图像左右移动，缩放，定格，画中画功能

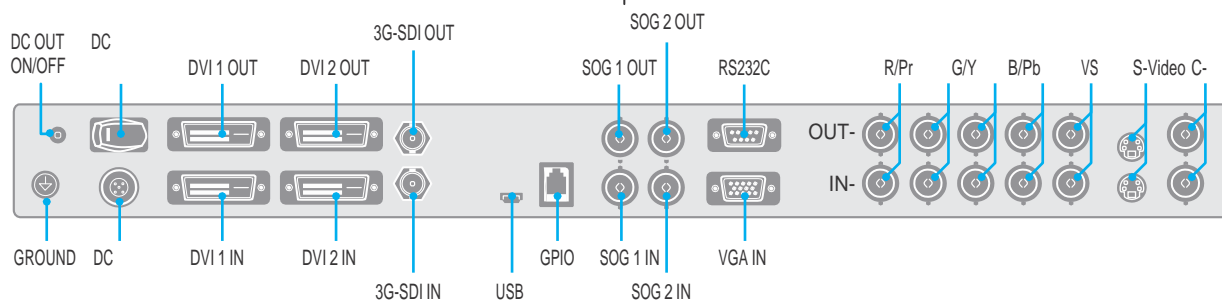


FS-L2402D输入/输出选择包括双DVI和显示器上可用于小零部件需要的直流电源输出连接。具有FSN其他显示器的特性，OR中视频信号快速检测，流畅的、无伪影图像。

Accurate Color Reproduction



我们对 FSN 显示器产品的性能进行调优。不同色彩空间设置标有通用外科偏好颜色。

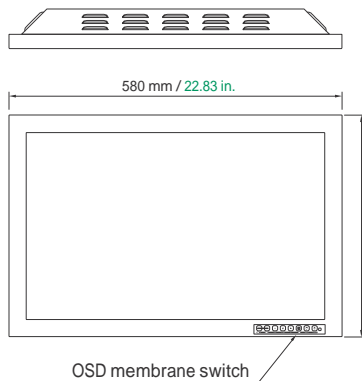


FSN 显示器有所有需要的接口。主要输入接口在后背连接板

规格

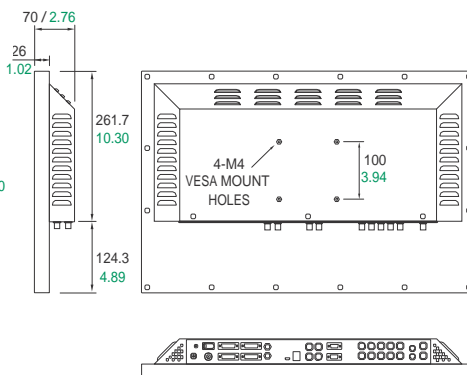
一般特性

Panel	24 inch TFT LCD (LED)
Resolution	1920 x 1200 pixel (WUXGA)
Aspect Ratio	16 : 10
Active Area	518.4 (W) X 324.0 (H) (mm)
Input Signal	2 x DVI-D 1 x SD/HD/3G-SDI (BNC) 2 x SOG 1 x VGA (D-sub) 1 x C-Video (BNC) 1 x S-Video (DIN) 1 x Component (RGBS, YPbPr) (5 x BNC)
Output Signal	2 x DVI-D 1 x SD/HD/3G-SDI (BNC) 2 x SOG 1 x C-Video (BNC) 1 x S-Video (DIN) 1 x Component (RGBS, YPbPr) (5 x BNC)
GPIO Port	Swap, PIP / PBP1 / PBP2 Select, Record indicator
External Control	RS232 Control
Power Supply	AC/DC Adaptor (AC 100-240V~, DC 24V 6.25A)
Control Key	Power, Menu, PIP, Up, Down, Plus, Minus, Input
Unit Dimension	580 (W) x 386 (H) x 70 (D) mm 22.84 (W) x 15.20 (H) x 2.76 (D) inch
Weight	7.5 kg, 16.53 lbs
Pixel Pitch	0.27 (W) x 0.27 (H)
Contrast Ratio	1000 : 1 typical
Viewing Angle (CR>10)	R/L 178, U/D 178
Response Time (G-to-G)	14 ms (avg.)
Surface Luminance	600 (5 points avg.) cd/m ²



输出信号时序

	Type	Analog Y/G, Pb/B, Pr/R
	Connector	BNC
	Level	0.7Vp-p ±5% (1.0Vp-p for sync embedded G/Y)
	Polarity	Positive
Component Video	Impedance	75 ohm ±5%
	Horizontal frequency	30 ~ 93KHz
	Vertical frequency	50 ~ 85Hz
	Applicable max. pixel frequency	170MHz
	Maximum resolution	1920x1080 / 60Hz (148.5MHz Timing, NON-CRT)
Component Sync	Type	Separate H/V sync, Composite Sync. Automatic synchronization without external switch
	Level	TTL Level (V high ≥2.0V, V low ≤0.8V)
	Polarity	Positive or Negative
	Connector	BNC
SOG	Type	Sync on green
	Level	0.7Vp-p ±5%
	Impedance	75 ohm ±5%
DVI	Max. resolution	1920x1200 / 60Hz (154MHz Timing, NON-CRT)
	Connector	BNC
	Type	Digital RGB
C-Video	Signal Format	TMDS single link
	Connector	DVI-D
S-Video	Type	C-Video
	Color system	NTSC, PAL
SDI	Connector	BNC
	Type	S-Video
	Color system	NTSC, PAL
SDI	Connector	mini-DIN
	SMPTE-424M	1080p
	SMPTE-292M	720p, 1080i
	SMPTE-259M	480i, 576i



输入信号时序

	Type	Analog RGB, Analog YPbPr
	Connector	DSUB-15 (VGA), BNS (Component)
	Level	0.7Vp-p ±5% (1.0Vp-p for sync embedded G/Y)
VGA, Component Video	Polarity	Positive
	Impedance	75 ohm ±5%
	Horiz. frequency	30 ~ 93KHz
	Vertical frequency	50 ~ 85Hz
	Applicable max. pixel frequency	170MHz
VGA, Component Sync	Max. resolution	1920x1200 / 60Hz (154MHz Timing, NON-CRT)
	Type	Separate H/V Sync, Composite Sync. Automatic synchronization without external switch
VGA, Component Sync	Level	TTL Level (V high ≥2.0V, V low ≤0.8V)
	Polarity	Positive or Negative
	Range	Automatic synchronization for applicable resolution modes which follows industrial standard within frequency range of 30 to 93KHz in horizontal and 50 to 85Hz in vertical
SOG	Terminal resistance	more than 2KΩ
	Type	Sync on green
	Level	0.7Vp-p ±5%
SOG	Impedance	75 ohm ±5%
	Maximum resolution	1920x1200 / 60Hz (154MHz Timing, NON-CRT)
DVI	Connector	BNC
	Type	Digital RGB
DVI	Signal Format	TMDS single link
	Connector	DVI-D
C-Video	Type	Analog Composite Video
	Color system	NTSC, PAL
	Connector	BNC
S-Video	Type	Analog Y/C Separated Video
	Color system	NTSC, PAL
SDI	Connector	mini-DIN
	SMPTE-424M	1080p
	SMPTE-292M	720p, 1080i
	SMPTE-259M	480i, 576i

